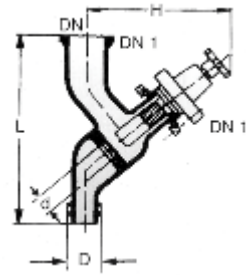
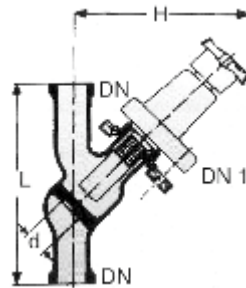


DRAIN VALVES



Cat. Ref.	DN	DN1	d	L	H	D
BPVD1	25	25	18	175	175	28
BPVD1.5/1	40	25	18	225	175	28
BPVD1.5	40	40	26	225	200	42
BPVD2	50	50	38	150	220	90

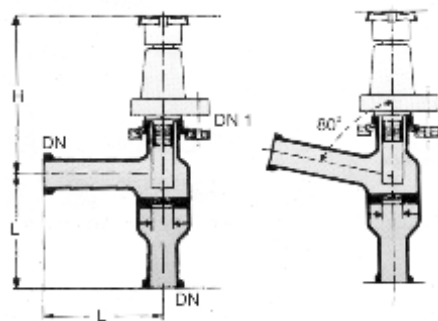
STRAIGHT THROUGH VALVES



Cat. Ref.	DN	DN1	d	L	H
BPV1	25	25	18	175	175
BPV1.5/1	40	25	18	225	175
BPV1.5	40	40	25	225	200
BPV2	50	50	38	300	220

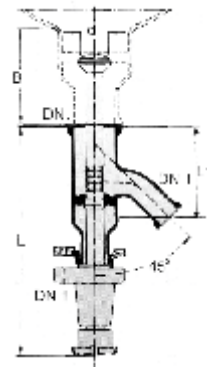
Spindles are made of PTFE.

ANGLE VALVES



Cat. Ref.	DN	DN1	d	L	H	Degree
BPVE1	25	25	18	100	175	90
BPVE1/80	25	25	18	100	175	80
BPVE1.5	40	40	26	150	200	90
BPVE2	50	50	38	150	220	90

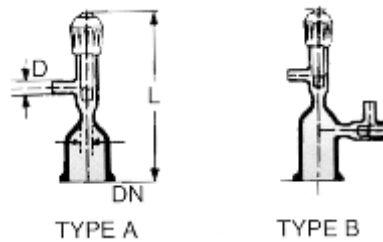
BOTTOM OUTLET VALVES



Cat. Ref.	DN	DN1	DN2	d	L	L1	B
BBAL1.5	40	25	25	26	260	105	190
BBAL2	50	40	25	38	260	105	190

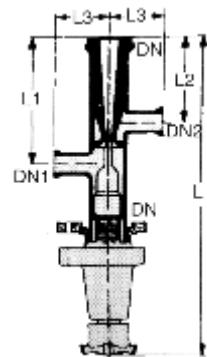
These valves prevent the accumulation of solids or liquid in the bottom outlet of a vessel. This valve can be incorporated in any spherical or cylindrical vessel.

VENT VALVES



Cat. Ref.	DN	D	d	L	Type
BPVL1	25	11	10	150	A
BPVL1.5	40	11	10	150	A
BPVLR1	25	11	10	150	B
BPVLR1.5	40	11	10	150	B

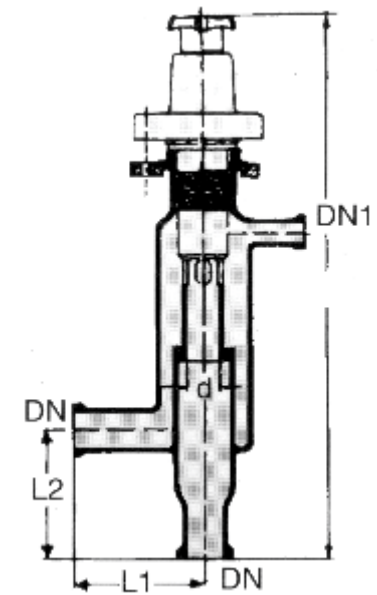
GAS MIXING VALVES



Cat. Ref.	DN	DN1	DN2	L	L1	L2	L3
BRM1.5	40	25	25	335	155	95	75
BRM2	50	40	25	390	190	110	95

These valves are ideal for fine distribution of gases into liquid.

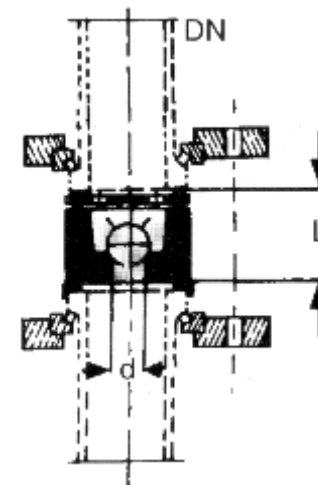
ADJUSTABLE OVERFLOW VALVES



Cat. Ref.	DN	DN1	d	L	L1	L2	l/hr
BOF1	25	25	25	420	100	50	600
BOF1.5	40	25	25	600	150	90	900

These valves provide an external adjustment of the level inside a vessel. They are ideal to use with liquid separators or liquid-liquid extractors. Its position can be adjusted within given limits to set the required overflow level.

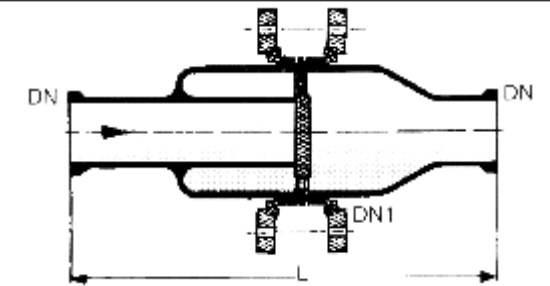
NON RETURN VALVES - Ball Type



Cat. Ref.	DN	d	L
BNRD1	25	10	25
BNRD1.5	40	15	40

These valves are for use only in vertical lines. These valves can be clamped between two components using long bolts. Total assembly consists of PTFE body and glass ball.

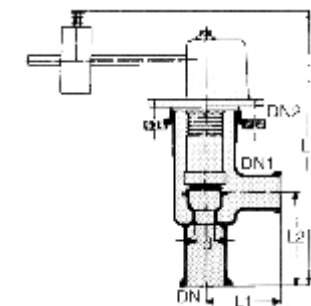
NON RETURN VALVE - Flat Type



Cat. Ref.	DN	DN1	L
BRK1	25	50	210
BRK1.5	40	80	260
BRK2	50	100	310
BRK3	80	150	410
BRK4	100	225	510

This valve can be used in both horizontal and vertical lines. The flap is made of PTFE.

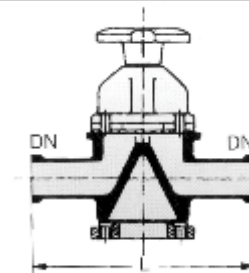
PRESSURE RELIEF VALVE



Cat. Ref.	DN	DN1	DN2	d	L	L1	L2
BSVG1.5	40	25	50	258	350	90	60

These weight operated valves are constructed of Glass and PTFE. Blow-off pressure should be specified when ordering. However, blow-off pressure can be varied by adjusting the location of weight.

GAS MIXING VALVES



Cat. Ref.	DN	L
BDVS1	25	175
BDVS1.5	40	200